



FEATURES

- Supports up to 10.7Gb/s bit rates
- 0 to 70°C operating case temperature
- SFP+ package with single LC receptacle connector
- Hot-pluggable capability
- Single 3.3V power supply
- 1270nm DFB transmitter and 1330nm high performance PIN receiver
- Up to 10km transmission distance over SMF
- Low power dissipation
- SFI electrical interface
- Low EMI and excellent ESD protection
- Built-in Digital Diagnostic Monitoring (DDM) function
- Class I laser safety standard IEC-60825 compliant
- RoHS-6 compliance

APPLICATIONS

- 10GBASE-LR/LW
- CPRI rates 2.4576 Gb/s, 4.9152Gb/s, 6.144Gb/s, 9.83Gb/s
- 10Gb/s Fiber Channel

STANDARDS

- Complies with SFP+ MSA (SFF-8431)
- Complies with SFF-8472
- Compliant with IEEE 802.3ae
- Complies with FCC 47 CFR Part 15, Class B
- Complies with 21 CFR 1040.10 and 1040.11 except for deviations pursuant to Laser Notice No. 50, dated June 24, 2007

ABSOLUTE MAXIMUM RATING

| Parameter | Symbol | Min. | Max. | Unit | Notes |
|-----------------------------|-----------|------|------|------|-------|
| Storage Ambient Temperature | T_{STG} | -40 | 85 | °C | |
| Operating Case Temperature | T_c | 0 | 70 | °C | |
| Operating Humidity | OH | 5 | 95 | % | |
| Power Supply Voltage | V_{CC} | -0.5 | 3.6 | V | |

RECOMMENDED OPERATING CONDITION

| Parameter | Symbol | Min. | Typ. | Max. | Unit | Notes |
|----------------------------|----------|------|------|------|------|-------|
| Operating Case Temperature | T_c | 0 | | 70 | °C | |
| Power Supply Voltage | V_{CC} | 3.13 | 3.3 | 3.47 | V | |
| Power Supply Consumption | P | | | 1 | W | |
| Date Rate | | | | 10.7 | Gbps | |
| Data Rate Drift | | -100 | | +100 | PPM | |

TRANSMITTER OPTICAL CHARACTERISTICS

| Parameter | Symbol | Min. | Typ. | Max. | Unit | Notes |
|------------------------------------|-----------------|------|------|------|------|-------------------------|
| Centre Wavelength | λ_c | 1260 | 1270 | 1280 | nm | |
| Spectral Width (-20dB) | $\Delta\lambda$ | | | 1 | nm | |
| Average Output Power | P_{OUT} | -8.2 | | 0.5 | dBm | Launched into SMF Fiber |
| Average Power of OFF Transmitter | $P_{OUT-OFF}$ | | | -30 | dBm | |
| Extinction Ratio | ER | 3.5 | | | dB | |
| Side Mode Suppression Ratio | SMSR | 30 | | | dB | |
| Transmitter and Dispersion Penalty | TDP | | | 3.2 | dB | 10km SMF |

TRANSMITTER ELECTRICAL CHARACTERISTICS

| Parameter | Symbol | Min. | Typ. | Max. | Unit | Notes |
|-------------------------------|---------|------|------|-----------------|----------|-------|
| Data Input Differential Swing | | 180 | | 700 | mV | |
| Input Differential Impedance | | 85 | 100 | 115 | Ω | |
| TX Disable | Disable | | 2 | $V_{CC}+0.3$ | V | |
| | Enable | | -0.3 | 0.8 | V | |
| TX Fault | Fault | | 2.4 | $V_{CC_{HOST}}$ | V | |
| | Normal | | -0.3 | 0.4 | V | |

RECEIVER OPTICAL CHARACTERISTICS

| Parameter | Symbol | Min. | Typ. | Max. | Unit | Notes |
|--------------------------|------------------|------|------|-------|------|---|
| Operating Wavelength | λ_c | 1320 | | 1340 | nm | |
| Sensitivity | SEN | | | -14.4 | dBm | PRBS2 ³¹ -1 @ 10.3125Gbps BER $\leq 1 \times 10^{-12}$ |
| Saturation Optical Power | SAT | 0.5 | | | dBm | |
| LOS De-Assert | LOS _D | | | -18 | dBm | |
| LOS Assert | LOS _A | -32 | | | dBm | |
| LOS Hysteresis | HYS | 0.5 | | 5 | dB | |

RECEIVER ELECTRICAL CHARACTERISTICS

| Parameter | Symbol | Min. | Typ. | Max. | Unit | Notes |
|--------------------------------|------------------|------|------|----------------------|------|-------|
| Differential data output swing | V _{out} | 350 | | 850 | mV | |
| Rx_LOS Output Voltage - High | High | 2.4 | | V _{CC_HOST} | V | |
| Rx_LOS Output Voltage - Low | Low | -0.3 | | 0.4 | V | |
| Output Rise Time, 20%~80% | TR | 28 | | | ps | |
| Output Fall Time, 20%~80% | TF | 28 | | | ps | |

| PIN DESCRIPTION | | | |
|-----------------|-------------------|------------------------------|---|
| PIN | Name | Description | Notes |
| 1 | V _{EE} T | Transmitter Ground | |
| 2 | TX_Fault | Transmitter Fault Indication | Low: normal; High: abnormal |
| 3 | TX_Disable | Transmitter Disable | Low: transmitter on; High: transmitter off |
| 4 | SDA | SDA | The data line of two wire serial interface |
| 5 | SCL | SCL | The clock line of two wire serial interface |
| 6 | MOD_ABS | Module Absent | Connected to V _{EE} T or V _{EE} R in the module |
| 7 | RS0 | Not Connected | |
| 8 | RX_LOS | Loss of Signal | Low: signal detected; High: loss of signal |
| 9 | RS1 | Not Connected | |
| 10 | V _{EE} R | Receiver Ground | |
| 11 | V _{EE} R | Receiver Ground | |
| 12 | RD- | Inv. Received Data Out | AC-coupled, CML |
| 13 | RD+ | Received Data Out | AC-coupled, CML |
| 14 | V _{EE} R | Receiver Ground | |
| 15 | V _{CC} R | Receiver Power | |
| 16 | V _{CC} T | Transmitter Power | |
| 17 | V _{EE} T | Transmitter Ground | |
| 18 | TD+ | Transmit Data In | AC-coupled, CML |
| 19 | TD- | Inv. Transmit Data In | AC-coupled, CML |
| 20 | V _{EE} T | Transmitter Ground | |

PIN OUT DRAWING (TOP VIEW)

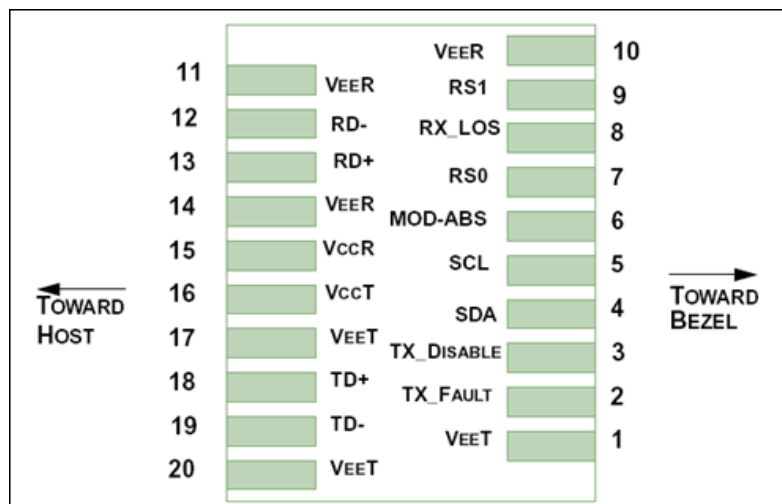


Figure 1 Pin Out Drawing (Top view)

TYPICAL INTERFACE CIRCUIT

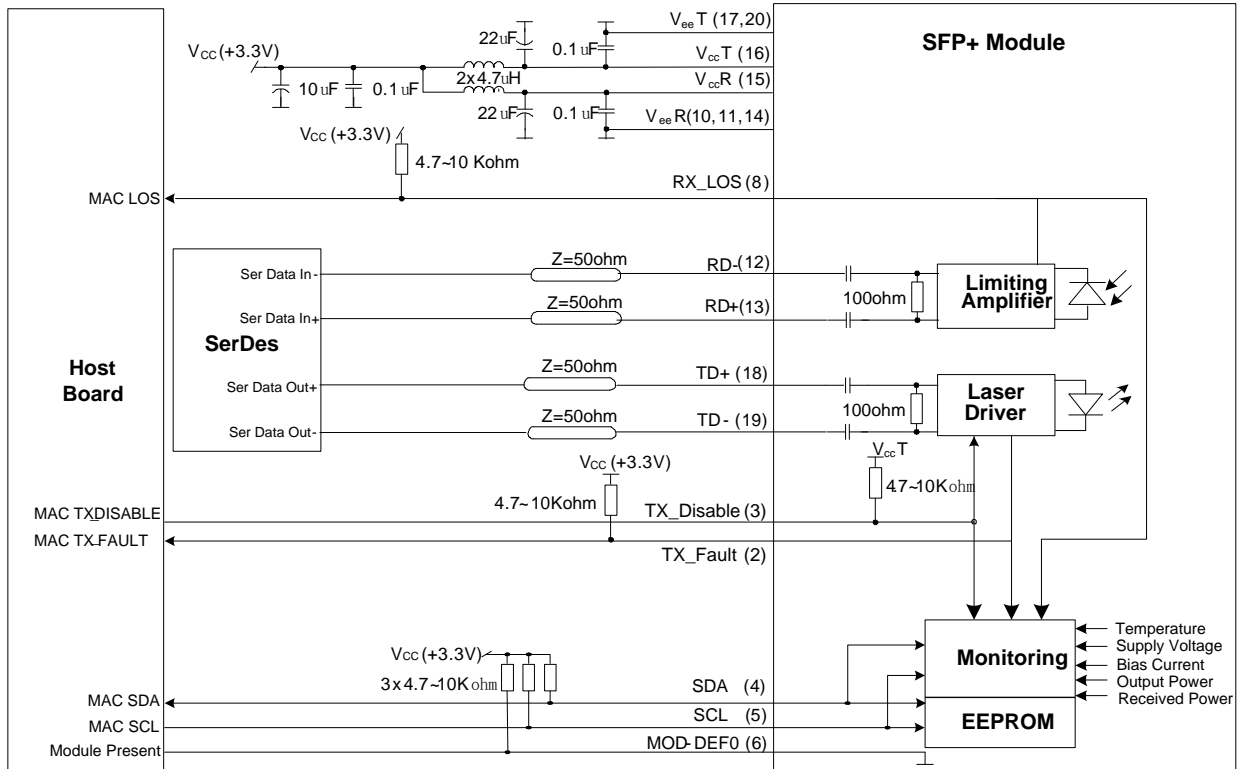


Figure 2 Typical Interface Circuit

PACKAGE OUTLINE

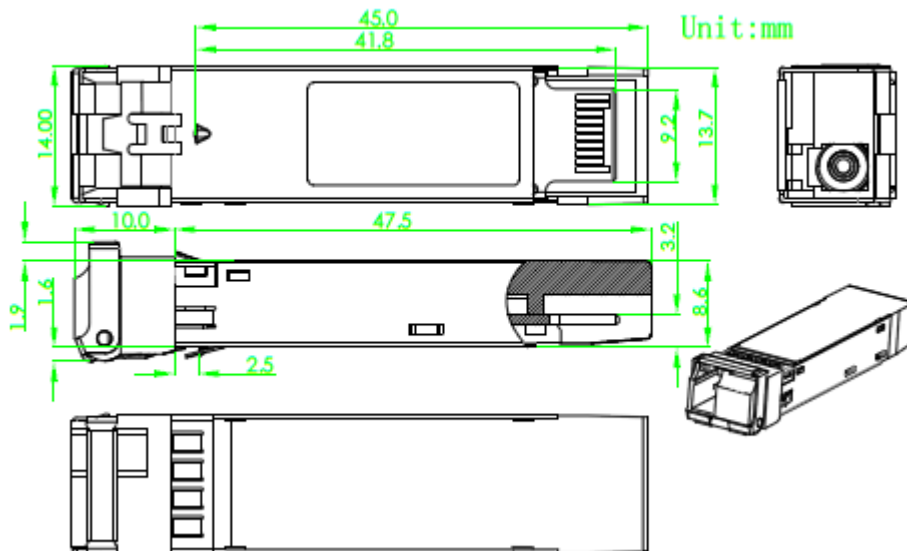


Figure 3 Package Outline

EEPROM INFORMATION

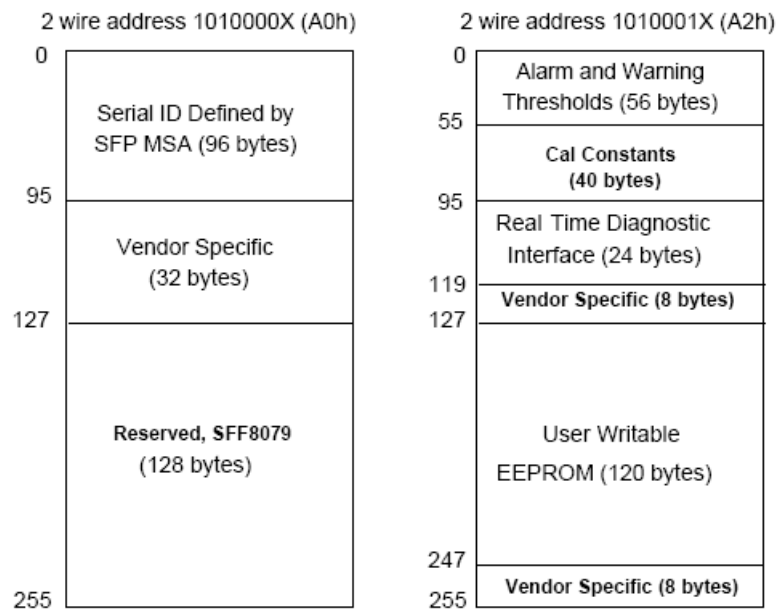


Figure 4 EEPROM Memory Map Specific Data Field Descriptions

DIGITAL DIAGNOSTIC MONITORING INTERFACE

| Parameter | Range | Accuracy | Calibration | NOTES |
|--------------|---------------|----------|-------------|-------------|
| Temperature | -5 to 70°C | ±5°C | Internal | LSB: 1/256C |
| Voltage | 2.97 to 3.63V | ±3% | Internal | LSB: 0.1mV |
| Bias Current | 0 to 100mA | ±10% | Internal | LSB: 2uA |
| TX Power | -9 to +1dBm | ±3dB | Internal | LSB: 0.1uW |
| RX Power | -16 to +1dBm | ±3dB | Internal | LSB: 0.1uW |

ORDERING INFORMATION

| PN | Temperature Rating | Unit |
|---------------|--------------------|------|
| SO012777-PLGA | 0 – 70 | °C |

WARNINGS

- Handling Precautions: This device is susceptible to damage as a result of electrostatic discharge (ESD). A static free environment is highly recommended. Follow guidelines according to proper ESD procedures.
- Laser Safety: Radiation emitted by laser devices can be dangerous to human eyes. Avoid eye exposure to direct or indirect radiation.

LEGAL NOTES

- All information contained in this document is subject to change without notice, at Superxon’s sole and absolute discretion. Superxon Technology warrants performance of its products to current specifications only in accordance with the company’s standard one-year warranty; however, specifications designated as “preliminary” are given to describe components only, and Superxon Technology expressly disclaims any and all warranties for said products, including express, implied, and statutory warranties, warranties of merchantability, fitness for a particular purpose, and non-infringement of proprietary rights. Please refer to the company’s Terms and Conditions of Sale for further warranty information.
- Superxon Technology assumes no liability for applications assistance, customer product design, software performance, or infringement of patents, services, or intellectual property described herein. No license, either express or implied, is granted under any patent right, copyright, or intellectual property right, and Superxon Technology makes no representations or warranties that the product(s) described herein are free from patent, copyright, or intellectual property rights. Products described in this document are NOT intended for use in implantation or other life support applications where malfunction may result in injury or death to persons. Superxon Technology customers using or selling products for use in such applications do so at their own risk and agree to fully defend and indemnify Superxon Technology for any damages resulting from such use or sale.
- THE INFORMATION CONTAINED IN THIS DOCUMENT IS PROVIDED ON AN “AS IS” BASIS. Customer agrees that Superxon Technology is not liable for any actual, consequential, exemplary, or other damages arising directly or indirectly from any use of the information contained in this document. Customer must contact Superxon Technology to obtain the latest version of this publication to verify, before placing any order, that the information contained herein is current.
- Copyright © 2014 Sichuan Superxon Information Technology, Ltd.

All rights reserved.